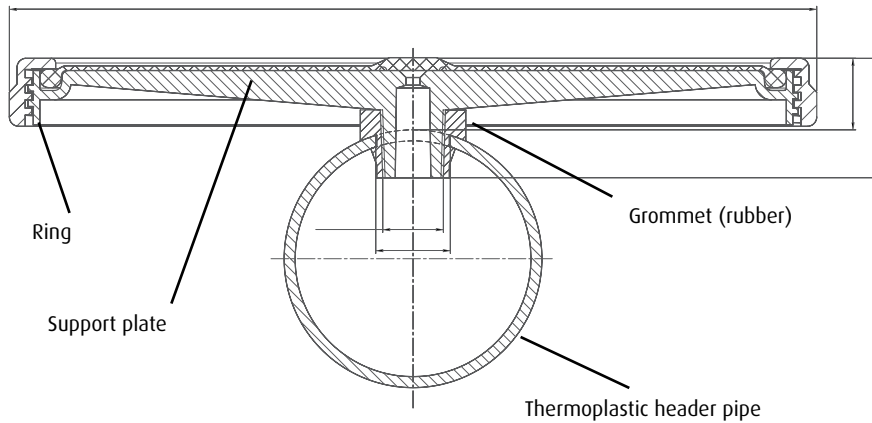


JetFlex® HD340 F053 F31

Material: F053 EPDM, black

Material Support Plate: PP GF 30, black, Logos and additional colours on request

Installation Drawing



Dimensions

Hight	Diameter total/ effective	Overall height memb- rane top of tube	Perforated Area	Orifice	Thread	Check valve
mm	mm	mm	m ²	mm		
76	346/295	46	0.06	10	R 3/4"	On request.

Membrane Material

Polymer	Carbon black	Plasticiser	Others
33 %	31 %	33 %	3 %

Density	Tensile strength	Elongation at break	Tear strength	Hardness	Tension set	Ozone resistance
DIN EN ISO 1183	DIN 53504; ISO 37	DIN 53504; ISO 37	DIN EN ISO 34; ASTM D 624 T	DIN 53505; DIN EN ISO 868	DIN ISO 2285, 100% Elongation; 24 h, RT	ISO 1431
1,08 ± 0,03 g/m ³	> 10 MPa	> 400%	> 7 N/mm	53 ± 5 Shore A	< 7%	zero cracks

Airflow

Air flow rate at standard operation conditions	max overload/mainte- nance air flow rate	Operating temperature	Operation mode	Application
mN3/h	mN3/h	°C		
2 - 6	15	5 - 60	intermittent continuous	municipal waste water

Shutdown of operation is highly recommended for air flow rates lower than minimum rate.

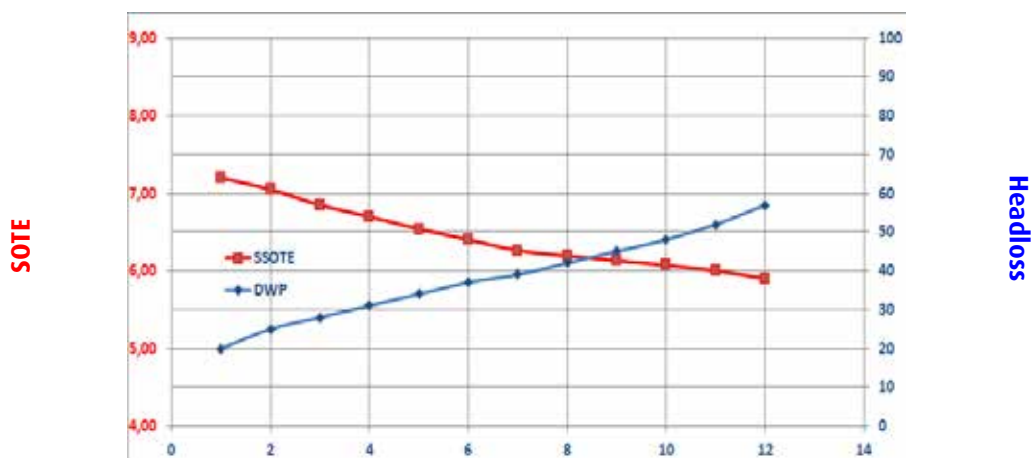
Overload air flow rate (e.g. cleaning) should not be applied longer than 10 min/day.

Numbers are for guidance only. Operating diffusers at too high or too low an airflow rate may reduce lifetime or performance. See Technical Report 'Slit size for aeration membranes' for details.



Data Sheet

Standard oxygen transfer efficiency (SOTE) and headloss for HD 340 F053 F31



Air Flow Rate Q

Connectors to header pipe

	Permitted wall thickness of header tube mm	Diameter of straight-drilled hole mm	Material	Colour
Universal Saddle	4 – 8	32,0	EPDM 75 Sh A	Black
PVC-Saddle 90 mm	2	35	PVC	grey/white
PVC-Saddle 110 mm	2	35	PVC	grey/white

Disclaimer

This information is based on our present state of knowledge and is intended to provide general notes on our products and their uses. It should not therefore be construed as guaranteeing specific properties of the products described or their suitability for a particular application. Any existing industrial property rights must be observed. The quality of our products is guaranteed under our General Condition of Sale.

Lab condistions only, no liability assumed. Contact Jaeger for a detailed lay-out & design for your individual plant.

Jäger Umwelt-Technik GmbH & Co. KG
 Ruscheplattenstraße 14
 31137 Hildesheim
 Germany
 Phone +49 (0) 5121 - 9138 900
 Fax +49 (0) 5121 - 9138 999
 www.jaeger-envirotech.com
 info@jaeger-envirotech.com

Jaeger Rubber and Plastics (Shenzhen) Ltd.
 1/F, No. A9 Factory Building
 Silicon Valley – Automobile Industry Park
 Guanlan, Baoan, Shenzhen,
 China 518110
 Phone: +86 755 29832412
 Fax: +86 755 29832413
 www.jaeger-shenzhen.cn
 info@jaeger-shenzhen.cn